

REV B
SHEET 1
DWG NO. 50-T-ME

SPECIFICATIONS:

POWER RATING: 50 W MAX. @ 40°C.
60 W MAX. @ 25°C.

FREQUENCY RANGE & VSWR:

DC TO 1GHz AT 1.10:1 MAX.
1GHz TO 4GHz AT 1.25:1 MAX.

IMPEDANCE: 50 OHMS, NOMINAL

AMBIENT TEMPERATURE RANGE: -40°C TO +40°C

CONNECTOR: 7/16" IEC MALE (TRI-ALLOY PLATED)

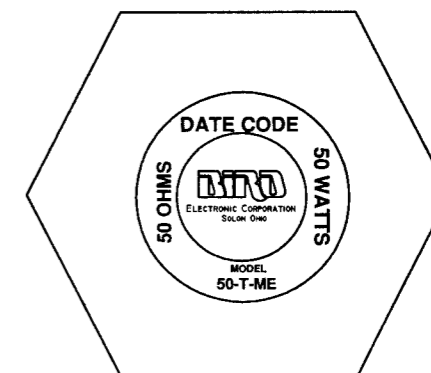
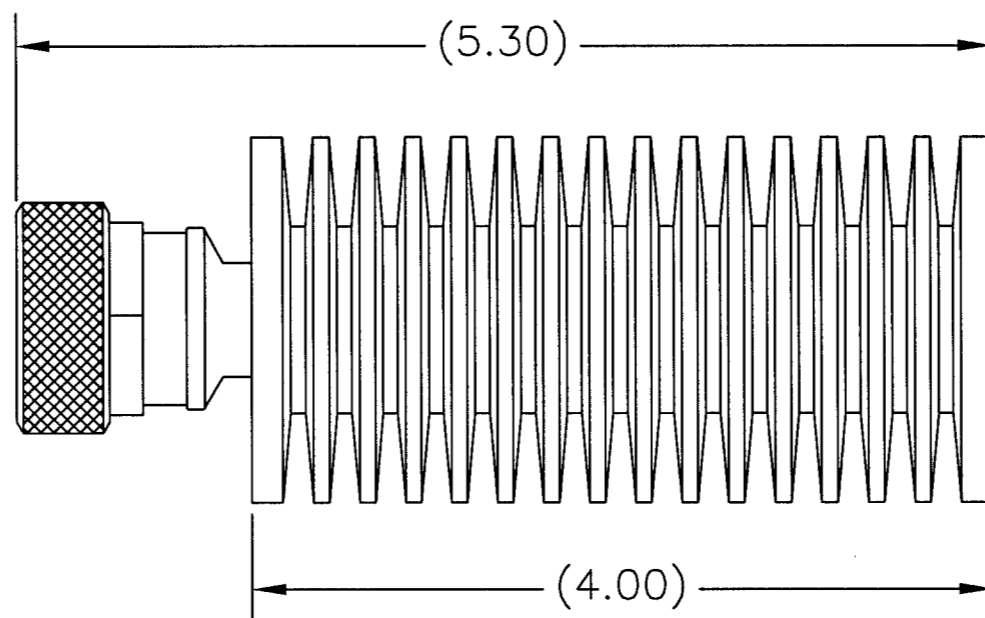
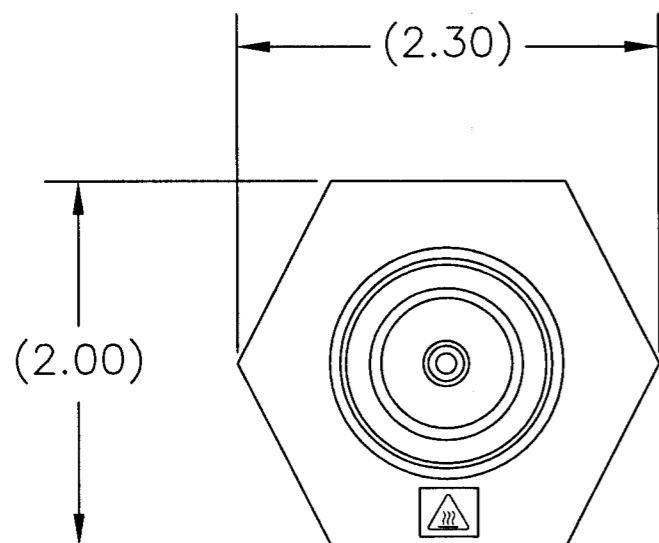
OPERATING POSITION: ANY (CONVECTION COOLED)

FINISH: BLACK ANODIZED

NOMINAL SIZE: APPROX. 5.300" L X 2.3" DIA.

WEIGHT: APPROX. 1.3 LBS

REVISIONS				
ZONE	REV	DESCRIPTION	DATE	APPROVED
	A	ECN #0012	11-20-95	<i>mm</i>
	B	ECN #0201	9-2-98	<i>mm</i>



DIMENSIONS HEREON ARE FOR CUSTOMER CONVENIENCE AND REFERENCE ONLY. TOLERANCE TO BE APPLIED ONLY WHERE INDIVIDUALLY STATED ON THE RESPECTIVE DIMENSION. -DO NOT SCALE DRAWING-

UNLESS OTHERWISE SPECIFIED DIMENSIONS ARE IN INCHES TOLERANCES ARE:			MILLIMETERS
FRACTIONS	DECIMALS	ANGLES	.X = ±.4 .XX = ±.12
± 1/64	.XX = ±.010 .XXX = ±.005	± 30'	
DO NOT SCALE DRAWING			

THIS DRAWING IS THE PROPERTY OF THE BIRD ELECTRONIC CORPORATION. THE DESIGNS AND SPECIFICATIONS DISCLOSED HEREON ARE PROPRIETARY AND SHALL NOT BE REPRODUCED, NOR COPIED, NOR USED AS THE BASIS FOR THE MANUFACTURE OR SALE OF APPARATUS OR DEVICES WITHOUT THEIR EXPRESS WRITTEN CONSENT.



MATERIAL		APPROVALS		DATE		TITLE				
		DRAWN D.M.RINK		11-8-02		TERMINATION, 7/16" IEC MALE, 50W				
FINISH		CHECKED		APPROVED <i>mm</i>		SIZE B	FSCM NO. 70998	DWG. NO. 50-T-ME	REV B	
				1-13-03		SCALE 1:1	COMM CODE LD1	SHEET 1 OF 1	AUTOCAD	